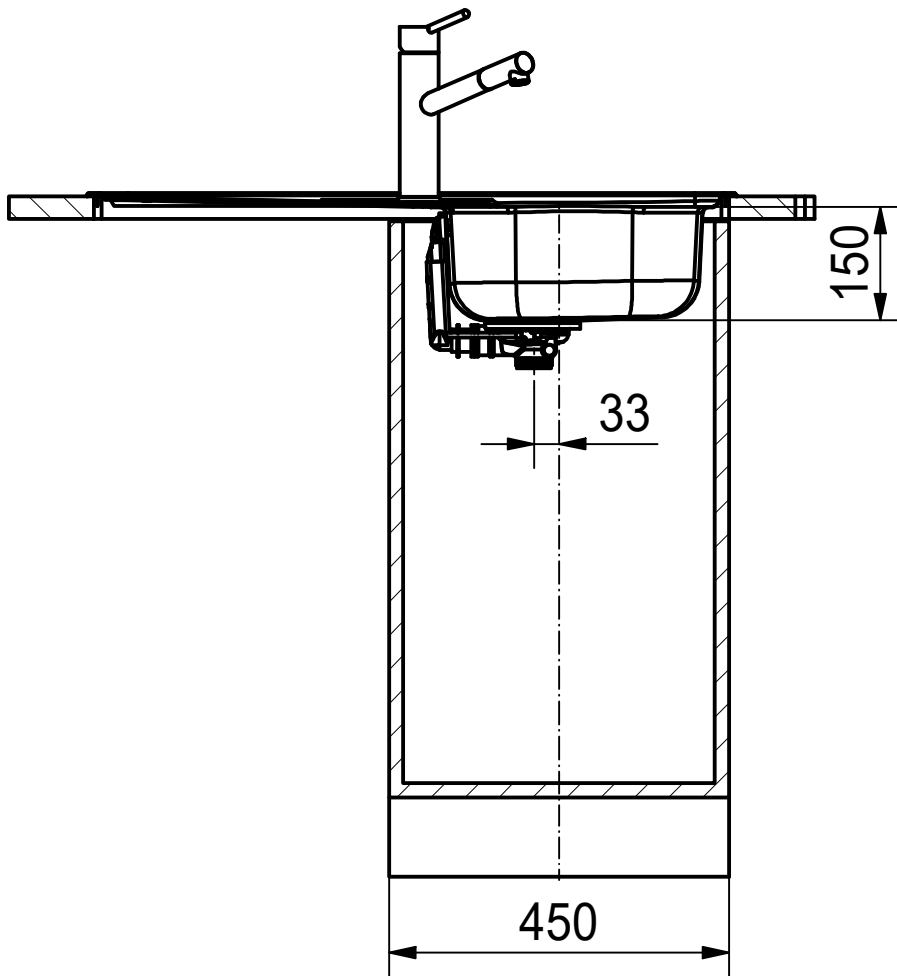


DF



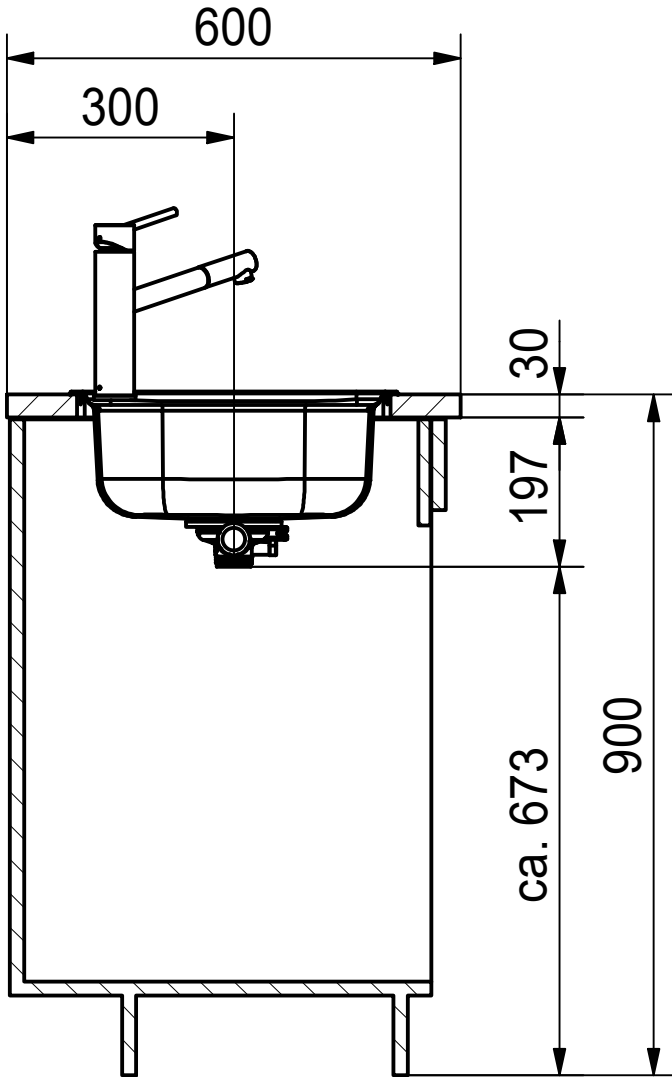
Drawing No.	20256049_02	Revision	A
Drawn Date	11.08.2023		
These drawings and specifications are the property of Franke Technology and Trademark Ltd., Hergiswil, Switzerland.			



FL 611-86x44 rev SI
Installing document

Sheet	Sheets
1	6

DS



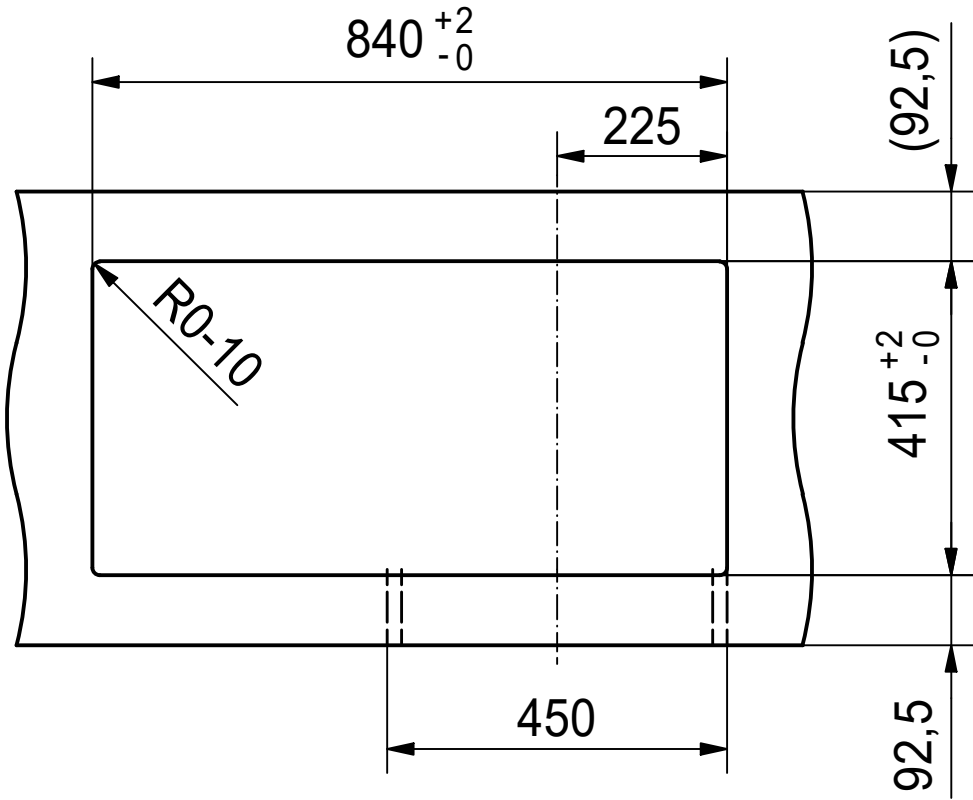
Drawing No.	20256049_02	Revision	A
Drawn Date	11.08.2023		
These drawings and specifications are the property of Franke Technology and Trademark Ltd., Hergiswil, Switzerland.			



FL 611-86x44 rev SI
Installing document

Sheet	Sheets
2	6

CO



Drawing No.	20256049_02	Revision	A
Drawn Date	11.08.2023		
These drawings and specifications are the property of Franke Technology and Trademark Ltd., Hergiswil, Switzerland.			



FL 611-86x44 rev SI
Installing document

Sheet	Sheets
3	6

CNC



Drawing No. 20256049_02 Revision A

Drawn Date 11.08.2023

These drawings and specifications are the property of Franke Technology and Trademark Ltd., Hergiswil, Switzerland.

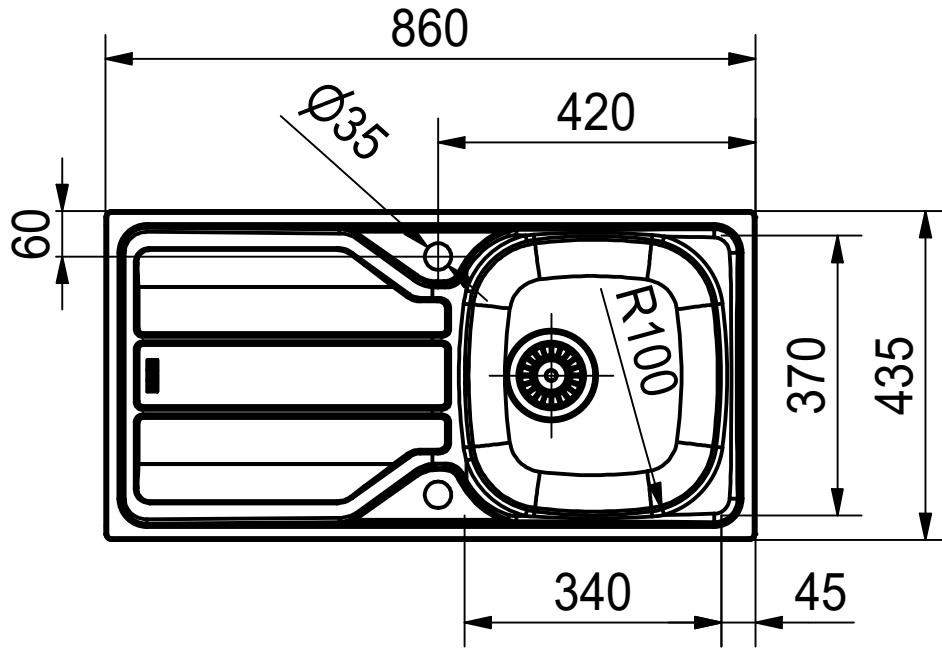


FL 611-86x44 rev SI
Installing document

Sheet Sheets

4 6

DT



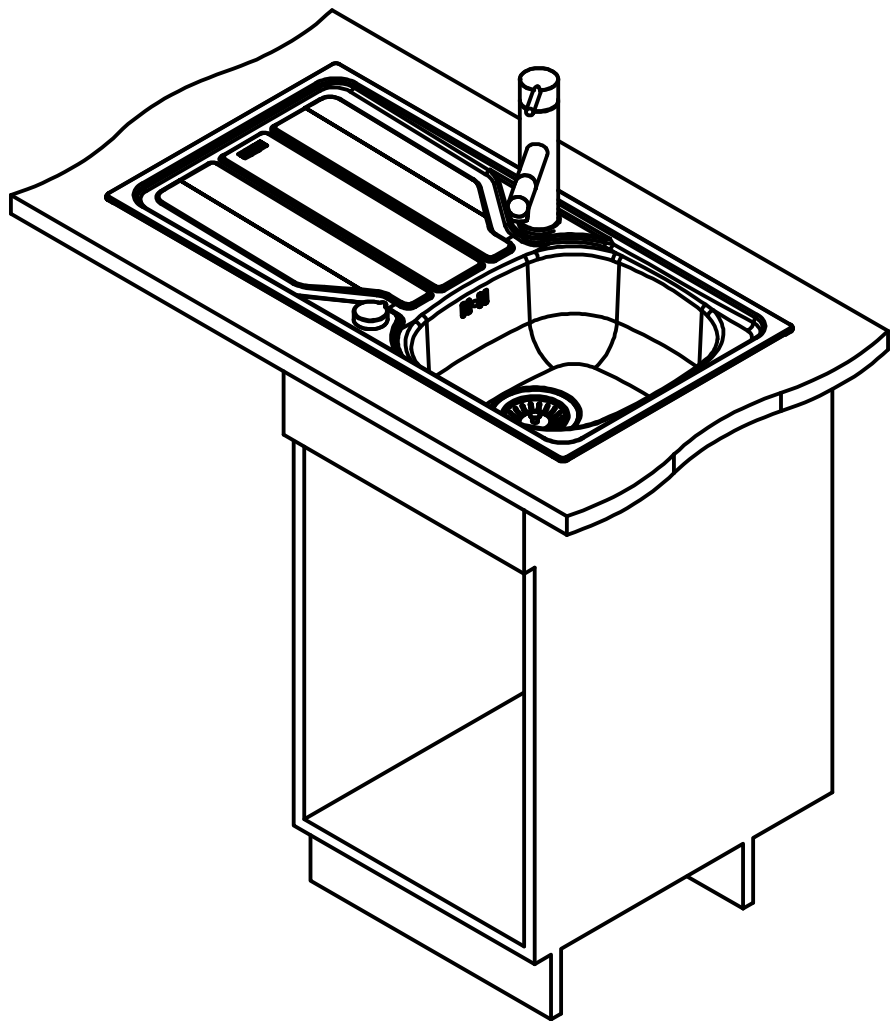
Drawing No.	20256049_02	Revision	A
Drawn Date	11.08.2023		
These drawings and specifications are the property of Franke Technology and Trademark Ltd., Hergiswil, Switzerland.			



FL 611-86x44 rev SI
Installing document

Sheet	Sheets
5	6

ISO



Drawing No.	20256049_02	Revision	A
Drawn Date	11.08.2023		
These drawings and specifications are the property of Franke Technology and Trademark Ltd., Hergiswil, Switzerland.			



FL 611-86x44 rev SI
Installing document

Sheet	Sheets
6	6