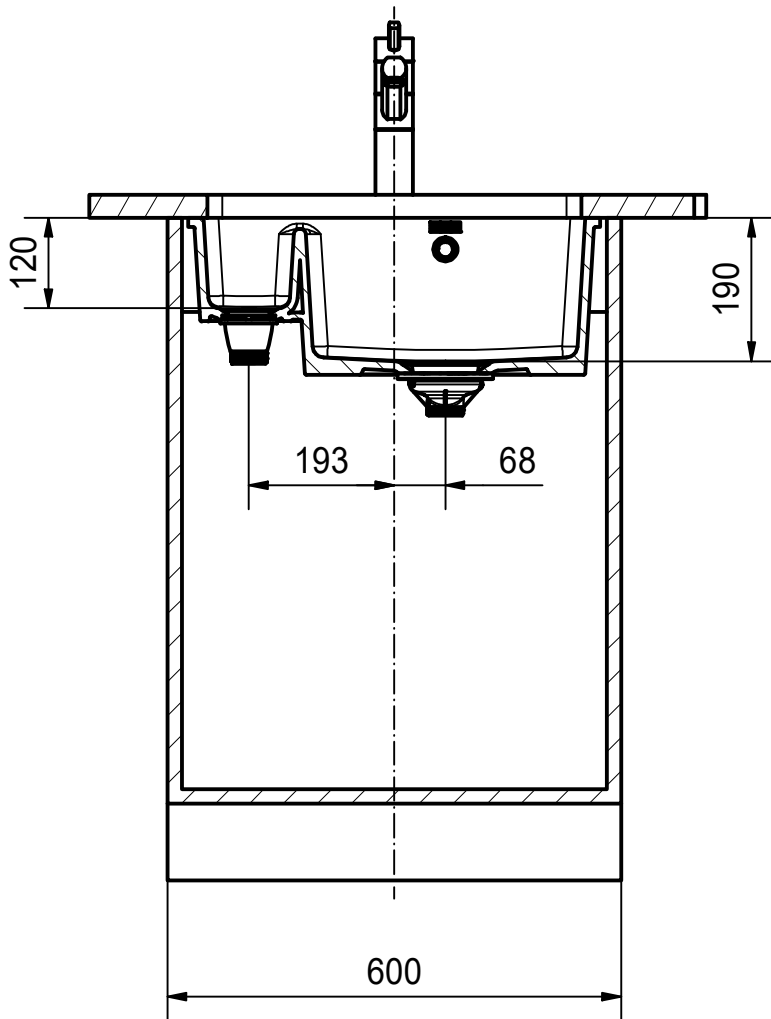


DF



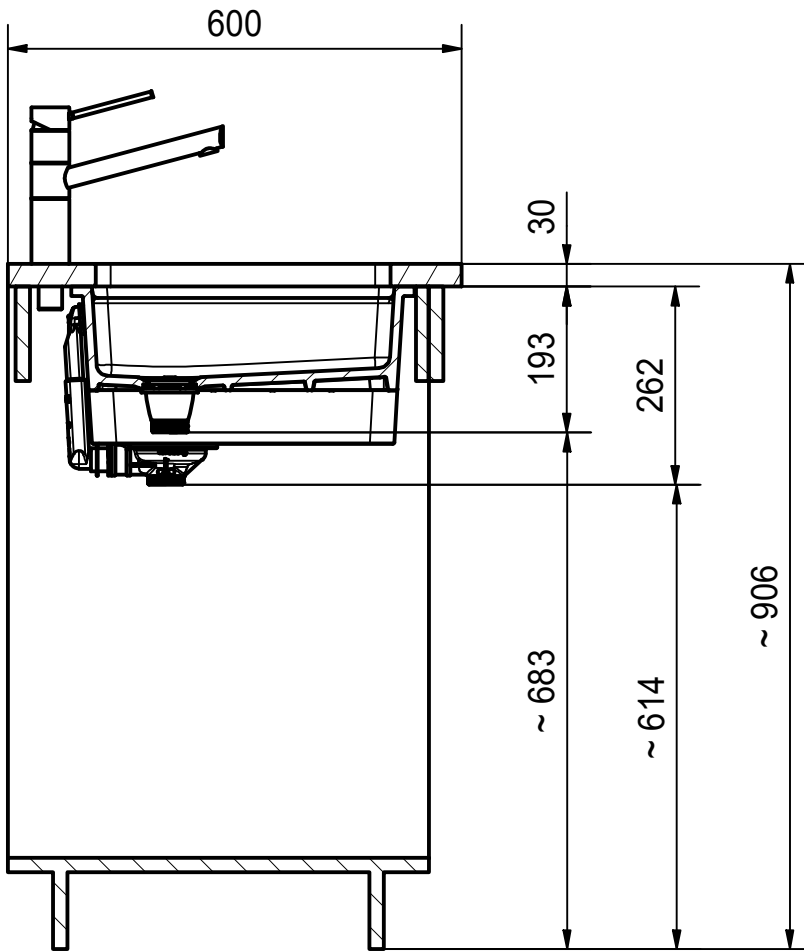
Drawing No.	20273015_01	Revision	-
Drawn Date	11.12.2024		
<small>These drawings and specifications are the property of Franke Technology and Trademark Ltd. and shall not be reproduced, copied or transferred to any third party without the prior written permission of Franke Technology and Trademark Ltd., Hergiswil, Switzerland</small>			

Franke Küchentechnik AG
CH-4663 Aarburg
Phone: +41 62 787 31 31
Internet: www.franke.com

KXK 160-37-12

Sheet	Sheets
1	7

DS



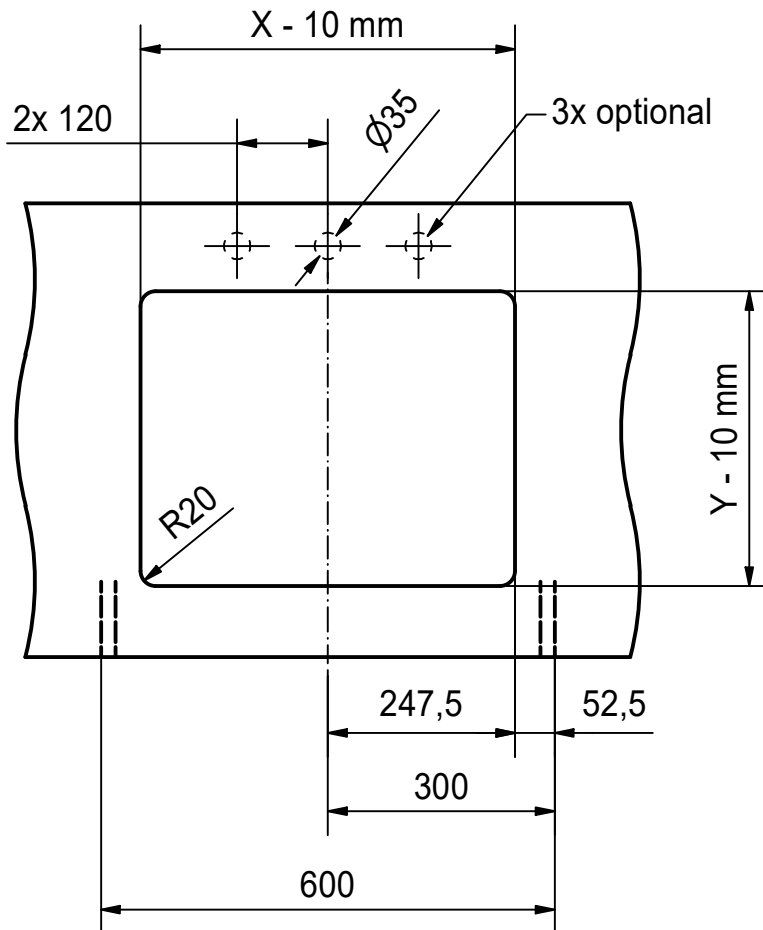
Drawing No.	20273015_01	Revision	-
Drawn Date	11.12.2024		
<small>These drawings and specifications are the property of Franke Technology and Trademark Ltd. and shall not be reproduced, copied or transferred to any third party without the prior written permission of Franke Technology and Trademark Ltd., Hergiswil, Switzerland</small>			

Franke Küchentechnik AG
CH-4663 Aarburg
Phone: +41 62 787 31 31
Internet: www.franke.com

KXK 160-37-12

Sheet	Sheets
2	7

CO



X = Self-measured length of the double bowl.
Corresponds to the total internal length over both bowls from left to right.

Y = Self-measured width of the bowl.
Corresponds to the internal width of the bowl from front to back.

Drawing No.	20273015_01	Revision	-
Drawn Date	11.12.2024		
<small>These drawings and specifications are the property of Franke Technology and Trademark Ltd. and shall not be reproduced, copied or transferred to any third party without the prior written permission of Franke Technology and Trademark Ltd., Hergiswil, Switzerland</small>			

Franke Küchentechnik AG
CH-4663 Aarburg
Phone: +41 62 787 31 31
Internet: www.franke.com

KXK 160-37-12

Sheet	Sheets
3	7

CNC



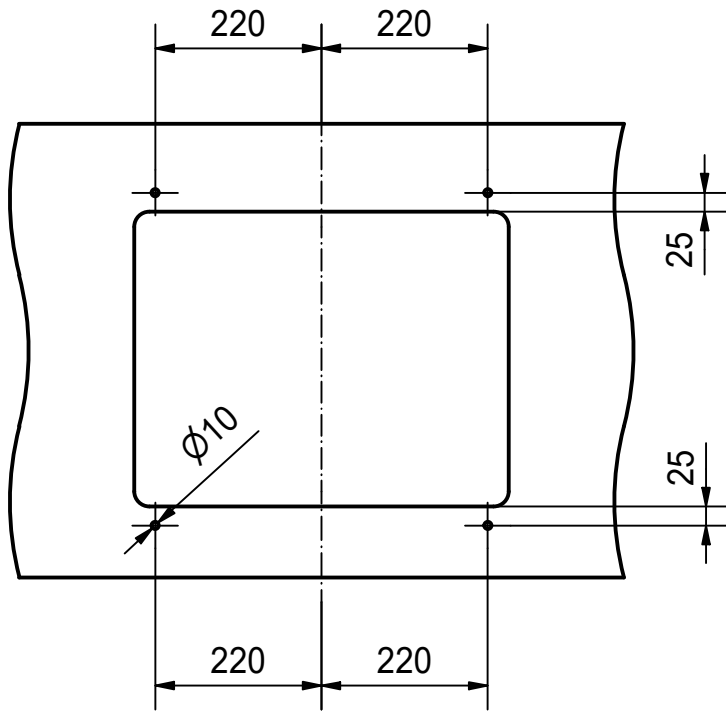
Drawing No.	20273015_01	Revision	-
Drawn Date	11.12.2024		
<small>These drawings and specifications are the property of Franke Technology and Trademark Ltd. and shall not be reproduced, copied or transferred to any third party without the prior written permission of Franke Technology and Trademark Ltd., Hergiswil, Switzerland</small>			

Franke Küchentechnik AG
CH-4663 Aarburg
Phone: +41 62 787 31 31
Internet: www.franke.com

KXK 160-37-12

Sheet	Sheets
4	7

FP



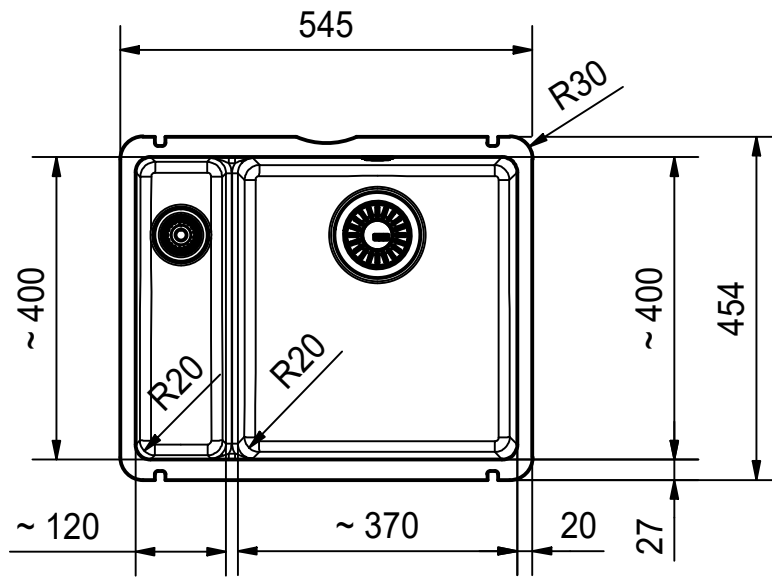
Drawing No.	20273015_01	Revision	-
Drawn Date	11.12.2024		
<small>These drawings and specifications are the property of Franke Technology and Trademark Ltd. and shall not be reproduced, copied or transferred to any third party without the prior written permission of Franke Technology and Trademark Ltd., Hergiswil, Switzerland</small>			

Franke Küchentechnik AG
CH-4663 Aarburg
Phone: +41 62 787 31 31
Internet: www.franke.com

KXXK 160-37-12

Sheet	Sheets
5	7

DT



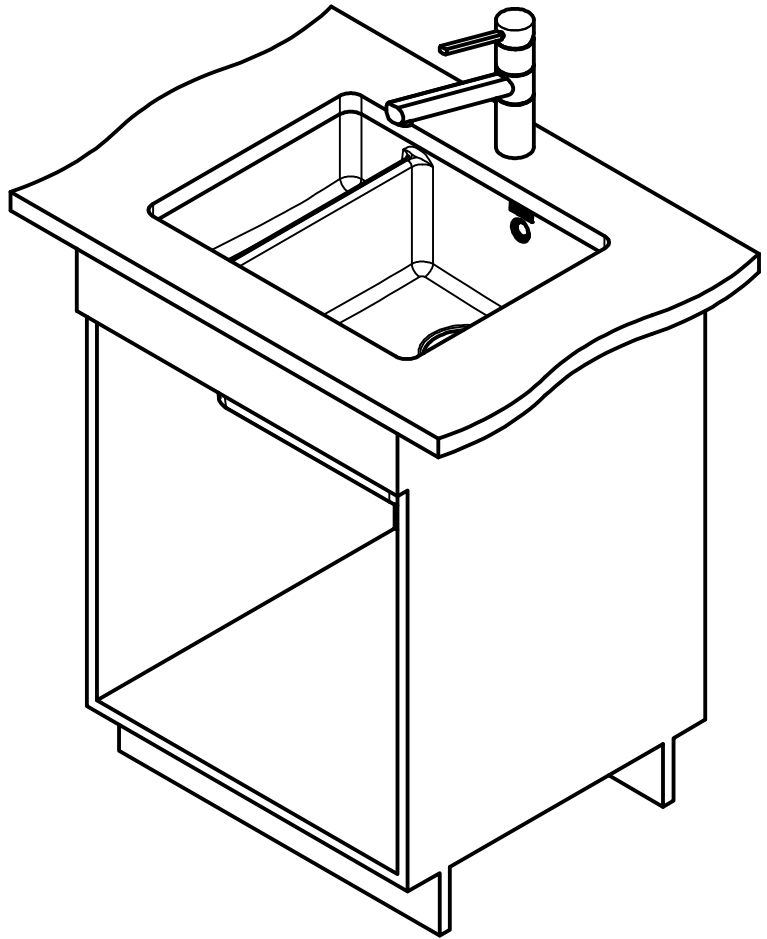
Drawing No.	20273015_01	Revision	-
Drawn Date	11.12.2024		
<small>These drawings and specifications are the property of Franke Technology and Trademark Ltd. and shall not be reproduced, copied or transferred to any third party without the prior written permission of Franke Technology and Trademark Ltd., Hergiswil, Switzerland</small>			

Franke Küchentechnik AG
CH-4663 Aarburg
Phone: +41 62 787 31 31
Internet: www.franke.com

KXK 160-37-12

Sheet	Sheets
6	7

ISO



Drawing No.	20273015_01	Revision	-
Drawn Date	11.12.2024		
<small>These drawings and specifications are the property of Franke Technology and Trademark Ltd. and shall not be reproduced, copied or transferred to any third party without the prior written permission of Franke Technology and Trademark Ltd., Hergiswil, Switzerland</small>			

Franke Küchentechnik AG
CH-4663 Aarburg
Phone: +41 62 787 31 31
Internet: www.franke.com

KXK 160-37-12

Sheet	Sheets
7	7