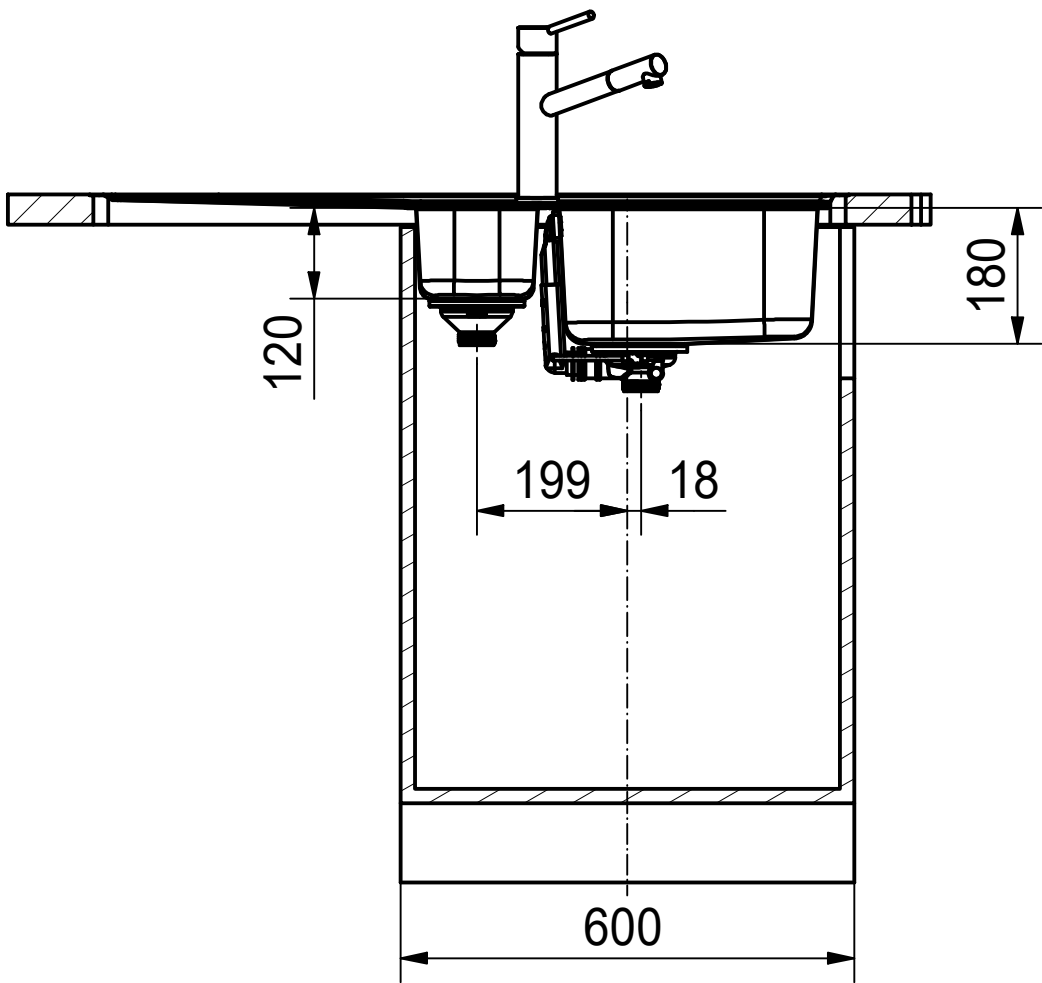


DF



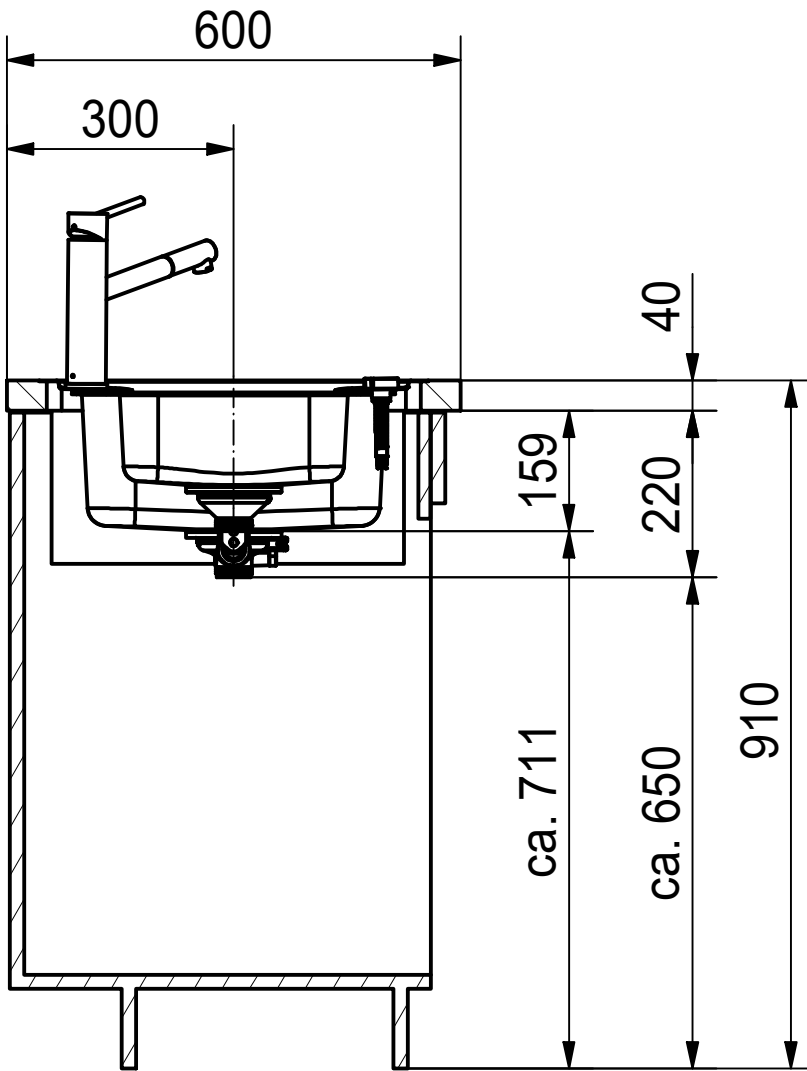
Drawing No.	20118234_05	Revision	D
Drawn Date	16.02.2015		
These drawings and specifications are the property of Franke Technology and Trademark Ltd., Hergiswil, Switzerland.			



RPX 251 Rev SI
installing document

Sheet	Sheets
1	6

DS



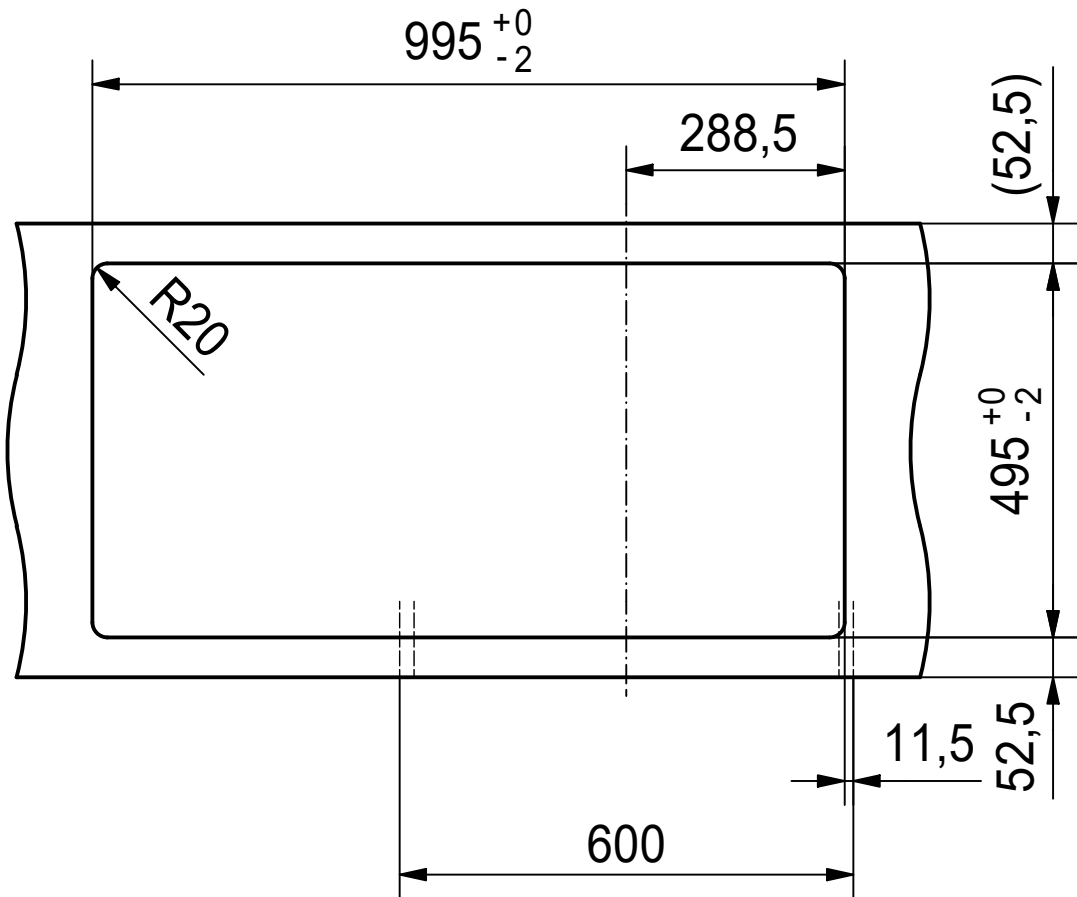
Drawing No.	20118234_05	Revision	D
Drawn Date	16.02.2015		
These drawings and specifications are the property of Franke Technology and Trademark Ltd., Hergiswil, Switzerland.			



RPX 251 Rev SI
installing document

Sheet	Sheets
2	6

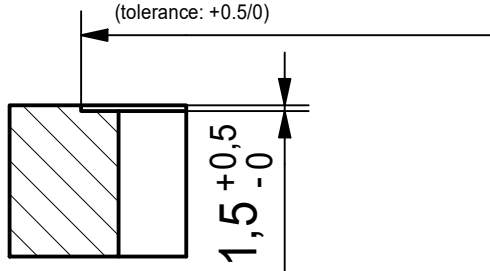
CO



for flush fit only

1005 x 515 x R13

(tolerance: +0.5/0)



Drawing No.	20118234_05	Revision	D
Drawn Date	16.02.2015		
These drawings and specifications are the property of Franke Technology and Trademark Ltd., Hergiswil, Switzerland.			



RPX 251 Rev SI
installing document

Sheet	Sheets
3	6

CNC



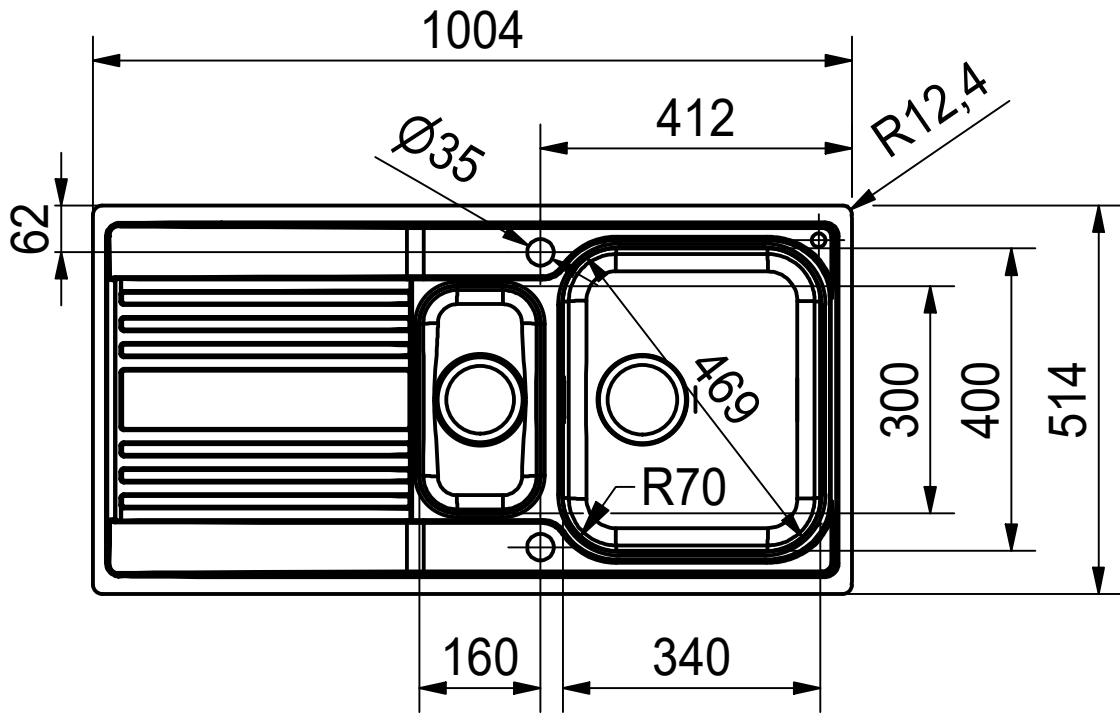
Drawing No.	20118234_05	Revision	D
Drawn Date	16.02.2015		
<small>These drawings and specifications are the property of Franke Technology and Trademark Ltd., Hergiswil, Switzerland.</small>			



RPX 251 Rev SI
installing document

Sheet	Sheets
4	6

DT



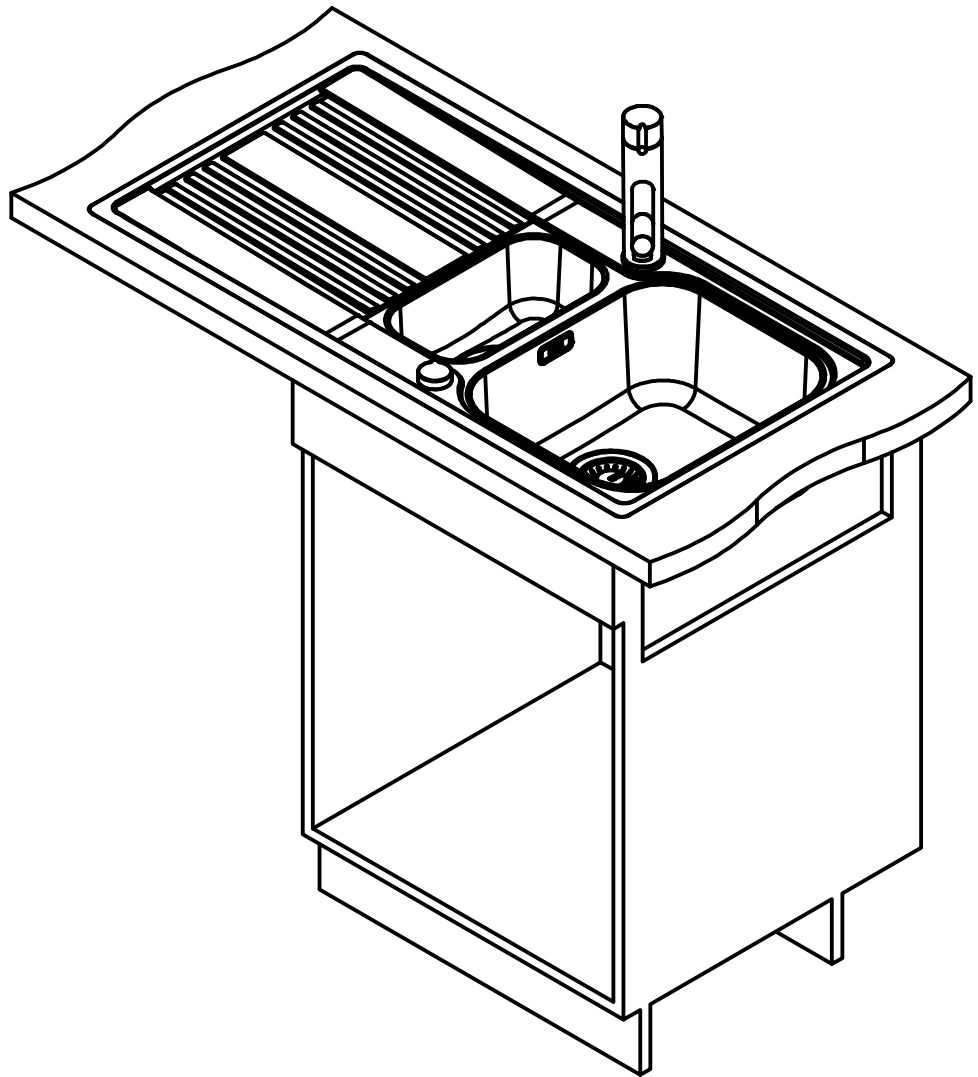
Drawing No.	20118234_05	Revision	D
Drawn Date	16.02.2015		
These drawings and specifications are the property of Franke Technology and Trademark Ltd., Hergiswil, Switzerland.			



RPX 251 Rev SI
installing document

Sheet	Sheets
5	6

ISO



Drawing No.	20118234_05	Revision	D
Drawn Date	16.02.2015		
<small>These drawings and specifications are the property of Franke Technology and Trademark Ltd., Hergiswil, Switzerland.</small>			



RPX 251 Rev SI
installing document

Sheet	Sheets
6	6